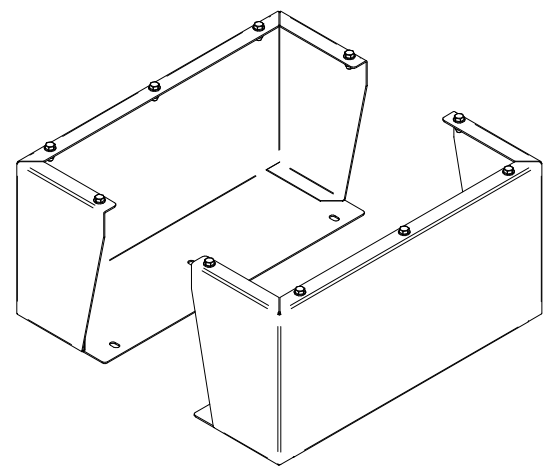


SECTION A-A



ORTHOGRAPHIC VIEWS ARE
DRAWN AT 1:1 SCALE
(PRINTED SCALE MAY VARY)

NAME	DATE	CUSTOMER:	
DATE	01/09/13	CUSTOMER NAME	
DRAWN BY: nate		TITLE: FLOOR STAND KIT	
		12.063"H x 24.000"D	
H	FINISH: nn nn	LAST CHANGED: 00-00-00	
FILE: SPFSK-1224 Approval			
CUST. DWG. nn		REV. -	
MAT.: 12 GA. CARBON		SHEET 1 OF 1	



4680A NASH ROAD
SCOTT CITY, MO 63780
PH: (573) 986-9400
FAX: (573) 986-9499
WEB PAGE: electrical-enclosures.com